

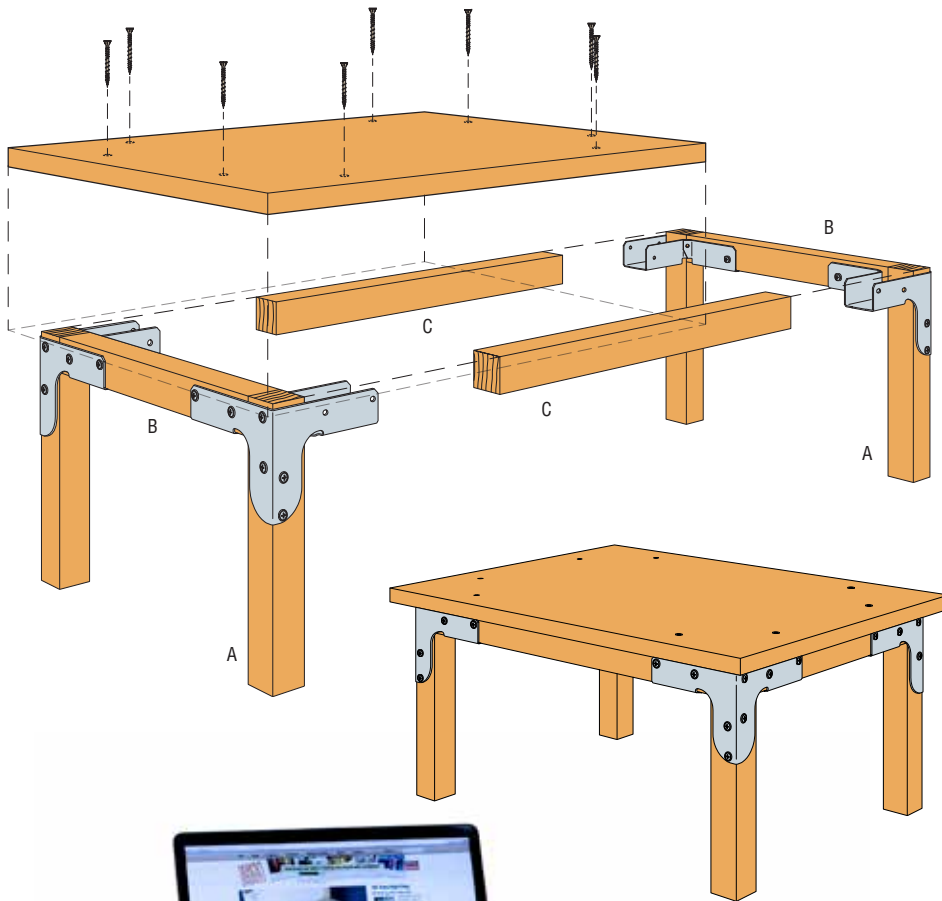


Computer Stand

Give yourself the flexibility to work while standing up with this versatile computer stand. The stand can also be used as a tea table tray or even a child's table. Construction is easy, and Simpson Strong-Tie® connectors ensure that your computer stand is sturdy and solid.



Check out our installation and building tip videos at diydoneright.com.



Tools You Need

- Saw
- Screw gun
- #2 Phillips-head bit
- T-25 bit (included with DSV screws)
- #10 countersink bit
- Tape measure
- Clamps
- Framing square
- Straight edge

Hardware You Need

Simpson Strong-Tie® Connectors and Fasteners

- (4) Rigid Tie® RTC22Z connectors
- (8) 1 1/4" Deck-Drive™ DSV Wood screws (for table top)
- (44) #8 x 1 1/4" (SD8x1.25) wafer-head screws (for RTC22Z connectors)

Installation Instructions

1. Cut Lumber to Size

Since Simpson Strong-Tie® connectors require only straight cuts, they can greatly simplify building with wood. (See page two for cut details.)

2. Attach Legs to Connectors

Attach each leg (A) to an RTC22Z connector. For correct placement, place short rail (B) inside connector first to make sure leg is properly lined up. (Note: the edge of the leg and rail will extend approximately 1/4" above the top edge of the connector.) Attach SD8x1.25 wafer-head screws to outer holes of connectors.

3. Attach Rails to Connectors

Attach short rails (B) and long rails (C) to connectors with SD8 screws. Attach screws only through outer holes first; wait to attach screws through inner holes of connector until top is attached.

4. Attach Top

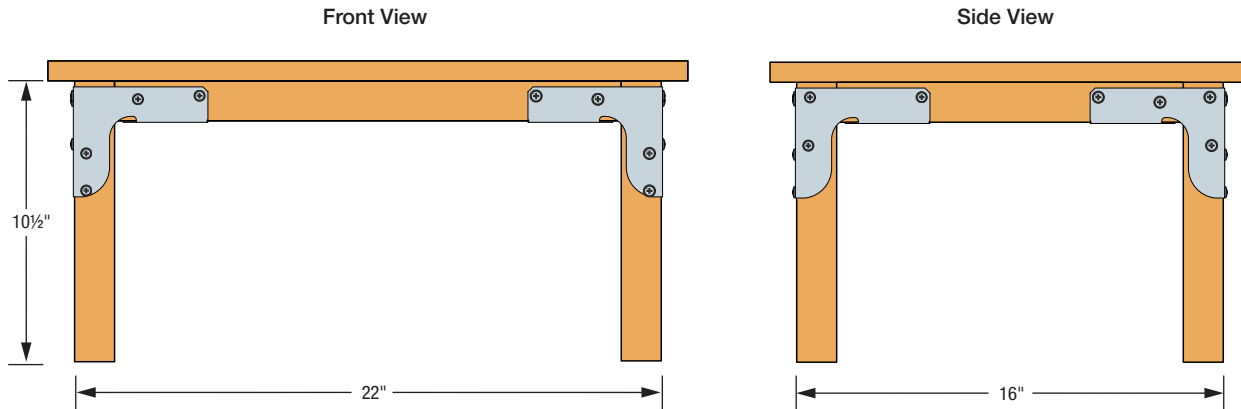
Place top on frame so that it overlaps frame by 1" on all sides. Connect the top to the short and long rails with Deck-Drive™ DSV screws, using countersink bit. (Clamps can be used to hold top to frame during screw installation.) Then place wood plugs on top of DSV screws and make flush with the top.



Materials and Cutting Diagram



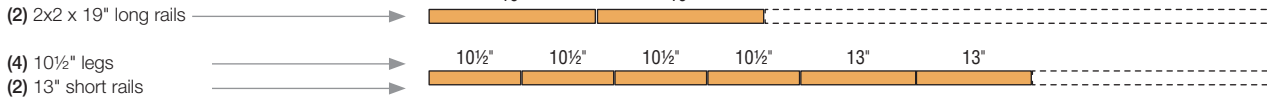
Computer Stand



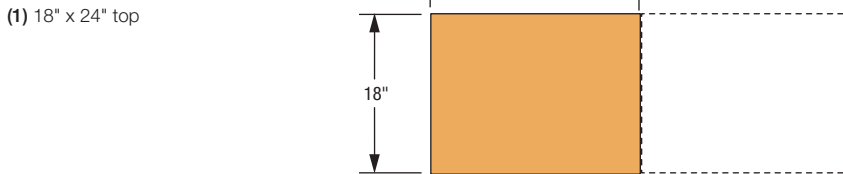
Lumber You Will Need:

- (2) pieces 2x2 x 8'
- (1) piece 18" x 48" x 3/4" edge-glued panel
- (1) box 3/8" flat-head wood plugs

Cut from 2x2 x 8'



Cut from 18" x 4' x 3/4" Panel



The construction plan for this project is designed to be completed by people with basic carpentry skills in standard situations. If your situation is unique, talk to someone with detailed carpentry or construction experience before starting your project. Particular attention was paid to the steps and details in this plan, but they cannot be guaranteed to be error free. Simpson Strong-Tie shall not be responsible for any possible loss, damage or injury resulting directly or indirectly from the information contained here.

© 2016 Simpson Strong-Tie Company Inc. • P.O. Box 10789, Pleasanton, CA 94588

DIY-CSCMPSTND16 11/16 exp. 12/18

(800) 999-5099
strongtie.com