



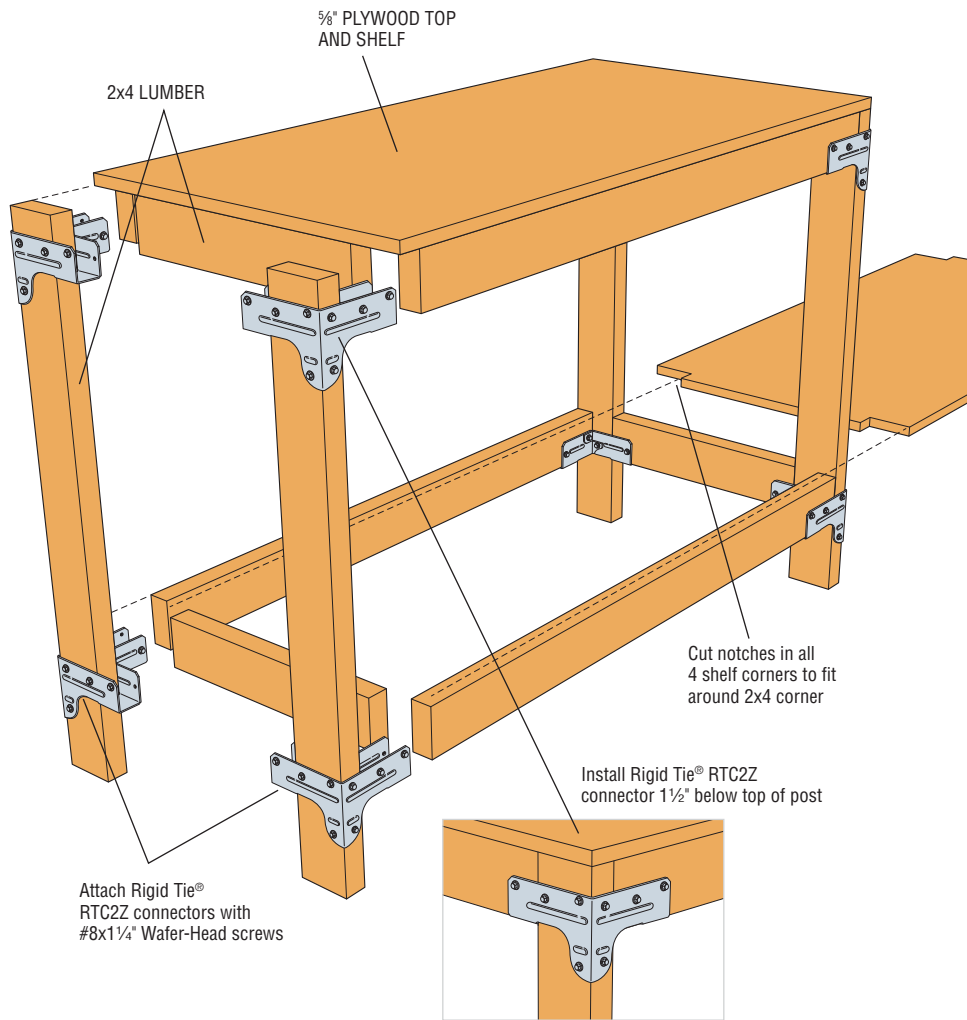
**SIMPLE, STURDY AND PRACTICAL**

# Heavy-Duty Work Table

Adding work space to your garage or basement is fast and easy with 2x4 lumber and Simpson Strong-Tie® Rigid Tie® RTC2Z connectors. In just a few hours create a sturdy table to act as a workstation and storage. It will stand up to your toughest projects and can be built in different lengths and widths to accommodate the spaces in your home.



Check out our installation and building tip videos at [www.diydoneright.com](http://www.diydoneright.com).



Attach Rigid Tie® RTC2Z connectors with #8x1¼" Wafer-Head screws

Cut notches in all 4 shelf corners to fit around 2x4 corner

Install Rigid Tie® RTC2Z connector 1½" below top of post

## TOOLS YOU NEED

- Saw
- Screw gun
- #2 Phillips head bit
- Tape measure
- Clamps
- Framing square

Connectors are easy to install and strong enough to support even the heaviest boxes, tools or machinery, and can be finished with paint to blend with the style of your home.

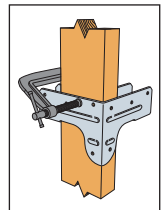
## RIGID TIE® RTC2Z CONNECTOR INSTALLATION INSTRUCTIONS

### 1. CUT LUMBER AND PLYWOOD TO SIZE.

Since all of your cuts are straight cuts, Simpson Strong-Tie® connectors simplify building with wood.

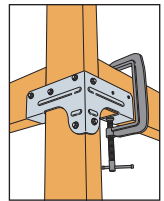
### 2. INSTALL CONNECTOR ON VERTICAL POST.

Mark height, clamp connector to post and attach with Simpson Strong-Tie® #8x1¼" Wafer-Head screws. No pre-drilling is needed.



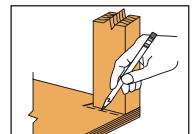
### 3. CONNECT HORIZONTAL RAIL ON EACH SIDE.

Use a clamp to help hold the wood in the seat of the connector during installation.



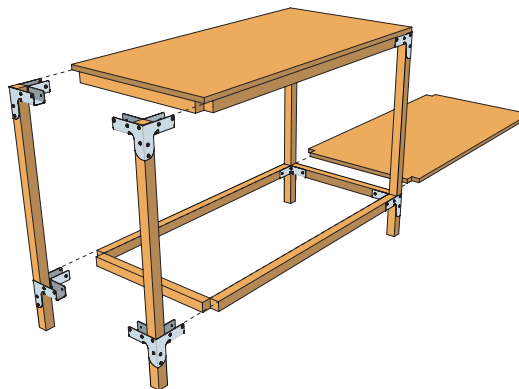
### 4. NOTCH CORNERS OF PLYWOOD SHELVES.

Use a piece of 2x4 on each corner of the shelf, trace and cut to accommodate corner posts.

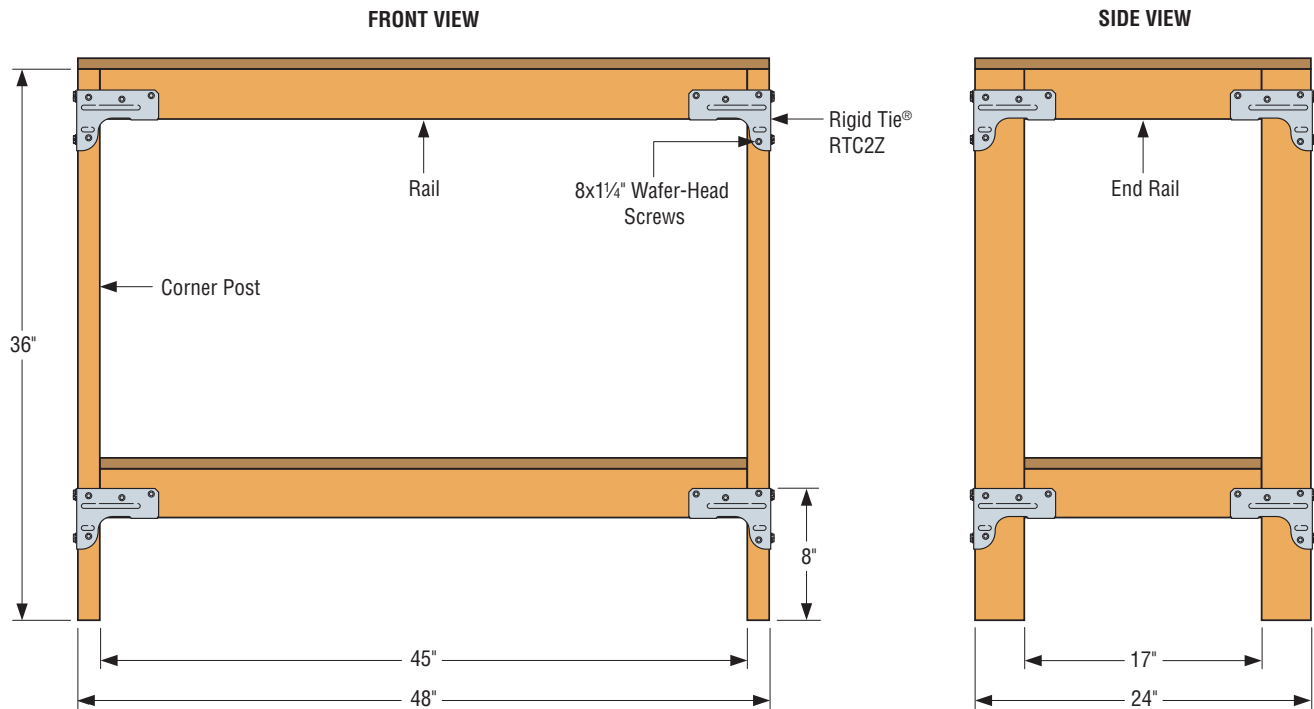


## Need a lighter-duty work table with a sleek look?

Build the perfect work table that is ideal for smaller projects. Visit [www.diydoneright.com](http://www.diydoneright.com) for plans to build a 2 ft. x 4 ft. table using 2x2 lumber and Rigid Tie® RTC22Z connectors.



## 2 ft. x 4 ft. Heavy-Duty Work Table



### FOR THIS PROJECT YOU WILL NEED:

#### LUMBER

- (5) – pieces of 2x4 8 ft. lumber
- (1) – 4 ft. x 8 ft. sheet of 5/8" plywood

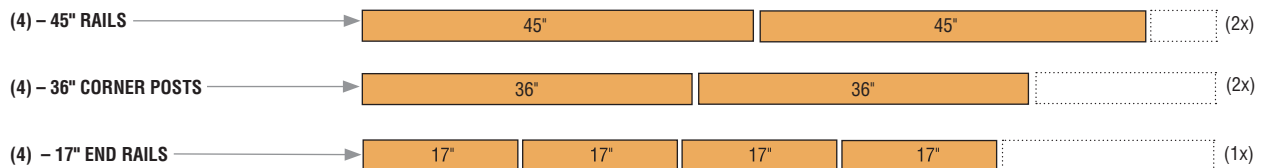
#### SIMPSON STRONG-TIE® CONNECTORS

- (8) – Rigid Tie® RTC2Z connectors

#### FASTENERS

- (2) – BOXES Simpson Strong-Tie® #8x1¼" Wafer-Head screws
- (36) – #8x1¼" flat-head screws

### CUT FROM 2x4 x 8' LUMBER

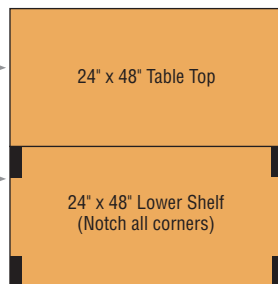


### CUT FROM 4' x 4' PLYWOOD

- (1) – 24" x 48" TABLE TOP  
5/8" plywood

- (1) – 24" x 48" LOWER SHELF  
5/8" plywood

Cut top and 1 shelf from  
(1) 48" x 48" sheet of 5/8" plywood.  
Attach with #8x1¼" flat-head screws  
at 8" spacing.



The construction plan for this project is designed to be completed by people with basic carpentry skills in standard situations. If your situation is unique, talk with someone with detailed carpentry or construction experience before starting your project. Particular attention was paid to the steps and details in this plan, but they cannot be guaranteed to be error free. Simpson Strong-Tie shall not be responsible for any possible loss, damage or injury resulting directly or indirectly from the information contained here.