



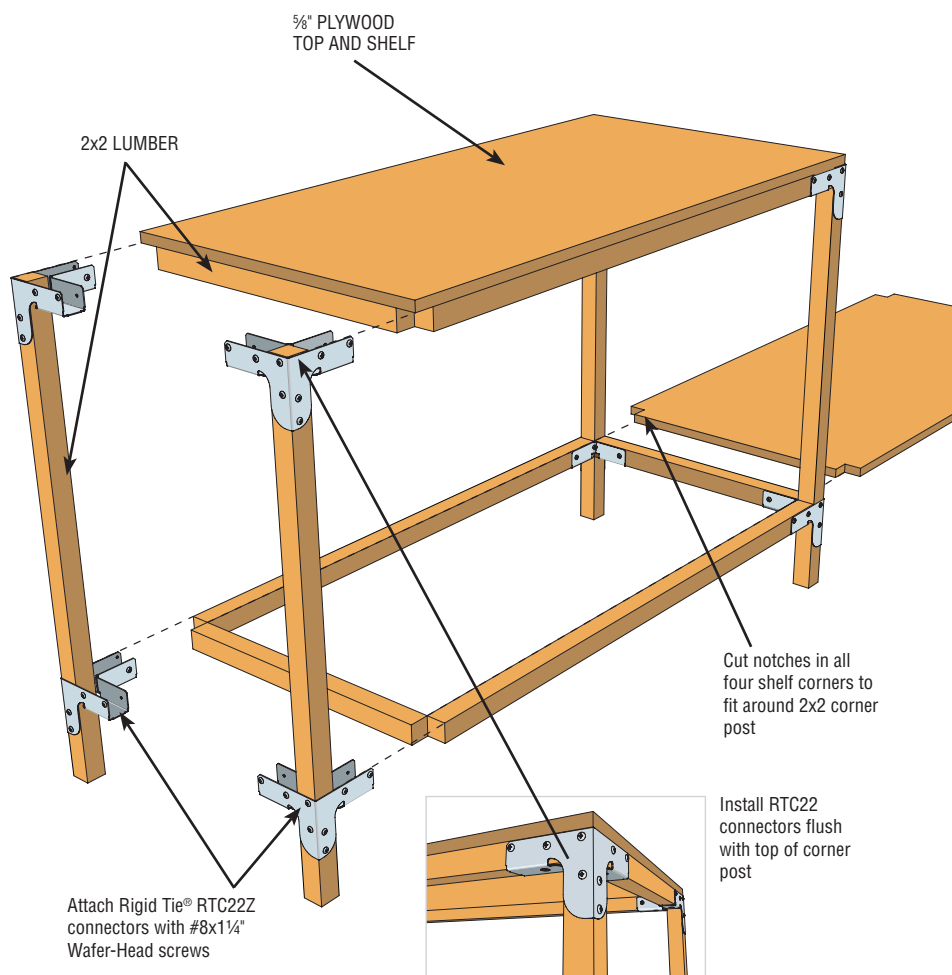
A FAST WAY TO CREATE A NEW WORK SPACE

Work Table

Whether you are looking to add work space to your home or college dorm room, building this 4 ft. work table is a breeze with 2x2 lumber and Simpson Strong-Tie® connectors. Create the perfect table to fit your space, customized to fit your needs. Build it in different lengths and widths, and even add more shelves for added storage. Once it's done, get creative with paint to add some flair.



Check out our installation and building tip videos at diydoneright.com.



Attach Rigid Tie® RTC22Z connectors with #8x1¼" Wafer-Head screws

Cut notches in all four shelf corners to fit around 2x2 corner post

Install RTC22 connectors flush with top of corner post

SIMPSON

Strong-Tie

TOOLS YOU NEED

- Saw
- Screw gun
- #2 Phillips head bit
- Tape measure
- Clamps
- Framing square

Connectors are easy to install and strong enough to support even the heaviest boxes, tools or machinery, and can be finished with paint to blend with the style of your home.

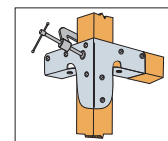
RIGID TIE® RTC22Z CONNECTOR INSTALLATION INSTRUCTIONS

1. CUT LUMBER AND PLYWOOD TO SIZE.

Since all of your cuts are straight cuts, Simpson Strong-Tie® connectors simplify building with wood.

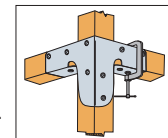
2. INSTALL CONNECTOR ON VERTICAL POST.

Mark height, clamp connector to post and attach with Simpson Strong-Tie® #8x1¼" Wafer-Head screws. No pre-drilling is needed.



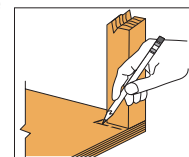
3. CONNECT HORIZONTAL RAIL ON EACH SIDE.

Use a clamp to help hold the wood in the seat of the connector during installation.



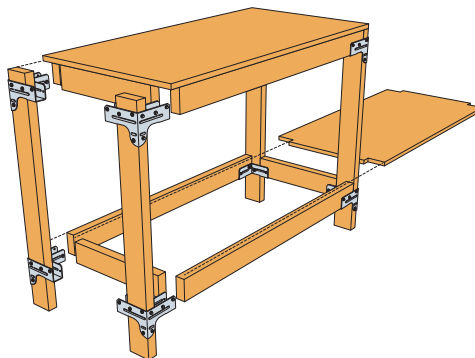
4. NOTCH CORNERS OF PLYWOOD SHELVES.

Use a piece of 2x2 on each corner of the shelf, trace and cut to accommodate corner posts.



Need a heavy-duty work table that's ideal for your garage or basement?

Build the perfect work table that can stand up to the most demanding needs. Visit www.strongtie.com/diydoneright for plans to build a 2 ft. x 4 ft. table using 2x4 lumber and Rigid Tie® RTC22Z connectors.





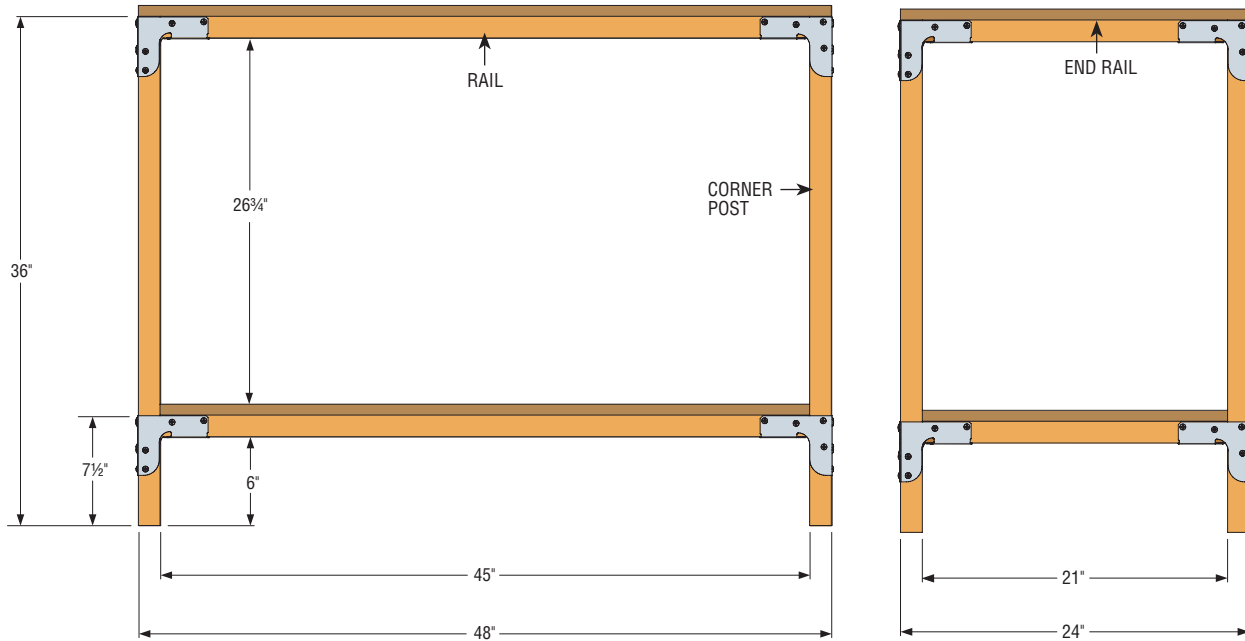
MATERIALS AND CUTTING DIAGRAM



2 ft. x 4 ft. Work Table

FRONT VIEW

SIDE VIEW



FOR THIS PROJECT YOU WILL NEED:

LUMBER

- (5) – pieces of 2x2 8 ft. lumber
- (1) – 4 ft. x 4 ft. sheet of 5/8" plywood

SIMPSON STRONG-TIE® CONNECTORS

- (8) – Rigid Tie® RTC22Z connectors

FASTENERS

- (1) – BOX Simpson Strong-Tie® #8x1 1/4" Wafer-Head screws
- (36) – #8x1 1/4" flat-head screws or 6d finish nails for a more finished surface

CUT FROM 2x2 x 8' LUMBER

- (4) – 45" RAILS → (2x)

- (4) – 36" CORNER POSTS → (2x)

- (4) – 21" END RAILS → (1x)

CUT FROM PLYWOOD

- (1) – 24" x 48" TOP SHELF → 24" x 48" Top Shelf

- (1) – 24" x 48" LOWER SHELF → 24" x 48" Lower Shelf (Notch all corners)

Attach with #8x1 1/4" flat-head screws or 6d finish nails at 8" spacing

Note: For a more finished appearance you can explore various types of premium plywood (ie: Birch, Maple, etc.) or 1x lumber options.

The construction plan for this project is designed to be completed by people with basic carpentry skills in standard situations. If your situation is unique, talk with someone with detailed carpentry or construction experience before starting your project. Particular attention was paid to the steps and details in this plan, but they cannot be guaranteed to be error free. Simpson Strong-Tie shall not be responsible for any possible loss, damage or injury resulting directly or indirectly from the information contained here.