



Outdoor Accents®

Rolling Planter Box

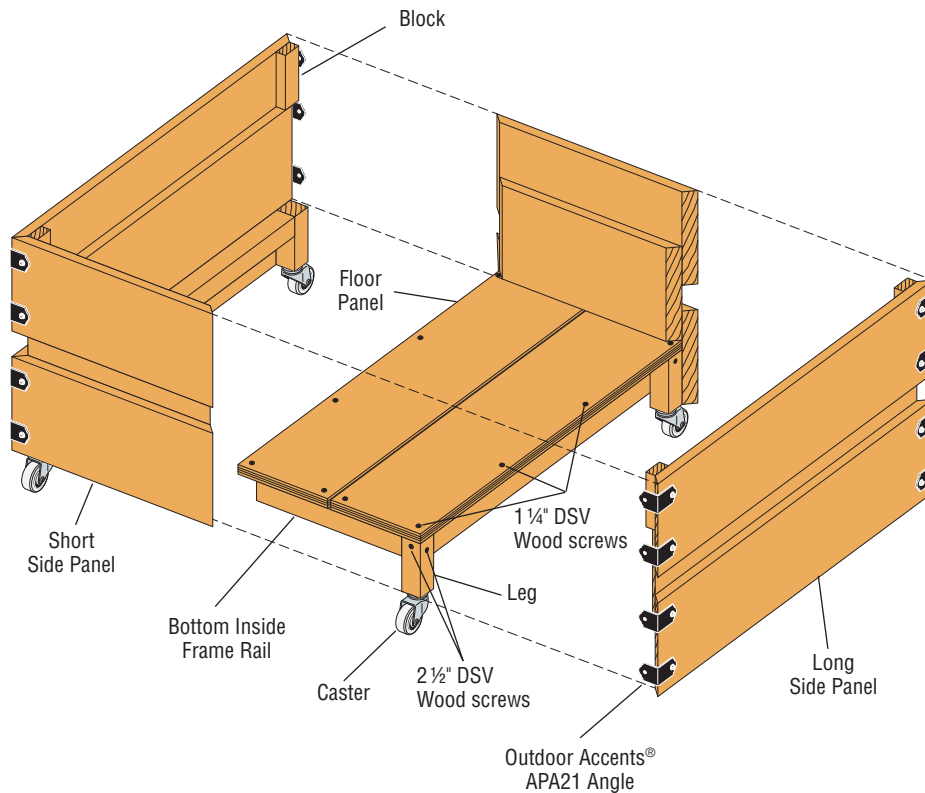
Simpson Strong-Tie® Outdoor Accents® APA21 angles make it quick and easy to build this simple yet strong planter box within a few hours. Optional casters make it possible to move plants in and out of the sun and rearrange for entertaining. Made with fence boards and 2x2 lumber.



Check out our installation and building tip videos at diydoneright.com



APA21 angle



Tools

- Miter saw
- Brad nailer or hammer
- Tape measure
- Pencil
- Speed square
- Drill/screw gun
- 3/16" hex bit
- T25 6-lobe bit
- Safety glasses

Instructions

- 1. Measure and Cut 2x2 Lumber for Bottom Inside Frame (Vertical Legs and Side Rails).** Use 90° setting on miter saw. Drill one end of each leg to accommodate casters according to manufacturer's instructions (do not install casters yet). Assemble sub-frame with (8) 2 1/2" DSV screws as shown.
- 2. Measure and Cut 1x8 Lumber for Floor.** Use 90° setting on miter saw. Attach floor boards to top of bottom inside frame, first using brads for placement, then install (12) Simpson Strong-Tie® DSV 1 1/4" screws.
- 3. Measure and Cut 1x8 Lumber for Side Panels.** Use 45° setting on miter saw. Lengths indicate outside edge.
- 4. Create Lower Section of Box.** Use 1 1/4" brads to attach 31" side panels and 16 1/2" end panels around inside bottom frame and floor. Place brads where they will be hidden by APA21 angles.
- 5. Create Midsection of Box.** Using the 29 1/2" side panels and 14 3/4" end panels, build a box inside the lower box. Panels should rest on floor of lower box. Attach with 1 1/4" brads from the inside.
- 6. Create Top Section of Box.** Using 1 1/4" brads, tack 5" blocks in corners of 31" sides. Rest bottom of blocks on midsection panel and attach with brads. Place brads where they will be hidden by APA21 angle connectors.
- 7. Attach APA21 Angles.** Using Outdoor Accents 1 1/2" connector screws, install the connectors 1/2" from the top and bottom edges of the top and bottom section corners.
- 8. Install Casters.** Insert metal sleeve into predrilled hole in leg and set with hammer. Insert caster. Repeat for each leg.



Materials And Cutting Diagram



Rolling Planter Box (16 1/2" w x 29 1/2" l x 20" h)

Lumber*

- (1) Piece of 2x2 x 8 ft. lumber
- (6) Pieces of 1x8 x 6 ft. fence board

*Use cedar, redwood, preservative-treated wood or exterior-grade painted or stained non-treated wood.

Simpson Strong-Tie® Hardware

- (16) Outdoor Accents® APA21 angles
- (32) Outdoor Accents® 1 1/2" connector screws
- (8) 2 1/2" DSV Wood screws for exterior use
- (12) 1 1/4" DSV Wood screws for exterior use

Other

- (4) 2" casters
- (1) Box of 1 1/4" brads
- Exterior-grade paint or stain (optional)
- Plastic liner if needed

Note: If using preservative-treated wood, be sure to line box with plastic liner if you plan to plant vegetables, herbs or anything else edible. (Don't forget to cut holes in the liner to line up with the drainage holes in the bottom of the planter.)

Cut from 2x2 x 8' lumber

- (4) 4 1/2" legs
- (2) 11 3/4" frame short rails
- (2) 26 1/2" frame long rails

Legs and Bottom Inside Frame Rails – 90° cut ends



Cut from 1x8 x 6' fence boards

- (2) 29 1/2" floor panels
- (4) 2" x 5" blocks

Floor and Blocking – 90° cut end



Sides – 45° cut ends

- (4) 31" long side panels



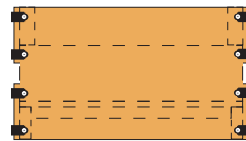
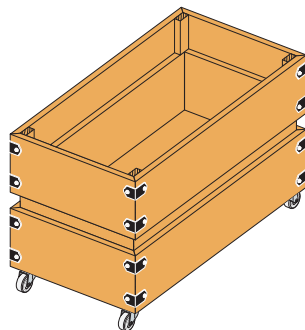
- (4) 16 1/4" short side panels



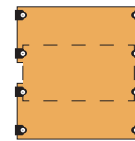
- (2) 29 1/2" long side panels



- (2) 14 3/4" short side panels



Side



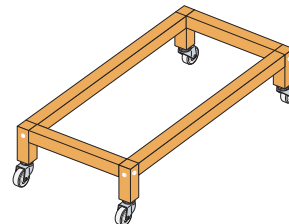
End



Top



Bottom



Bottom Inside Frame

The construction plan for this project is designed to be completed by people with basic carpentry skills in standard situations. If your situation is unique, talk to someone with detailed carpentry or construction experience before starting your project. Particular attention was paid to the steps and details in this plan, but they cannot be guaranteed to be error free. Simpson Strong-Tie shall not be responsible for any possible loss, damage or injury resulting directly or indirectly from the information contained here.

© 2017 Simpson Strong-Tie Company Inc. • P.O. Box 10789, Pleasanton, CA 94588

DIY-CSOAPLTBX17 7/17 exp. 12/21

(800) 999-5099
strongtie.com