



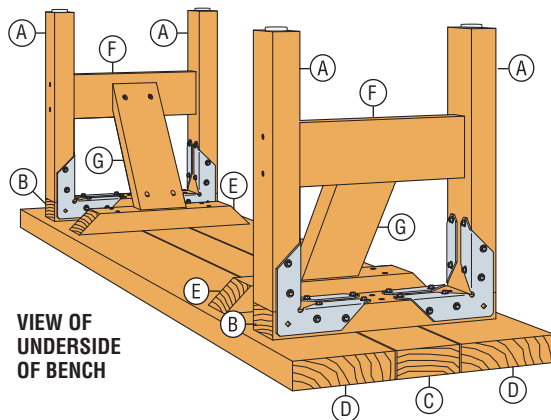
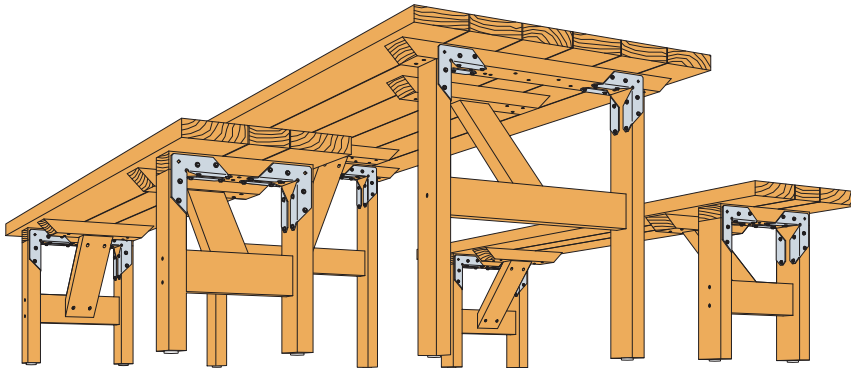
DINE OUTDOORS IN TRADITIONAL STYLE

Picnic Table and Two Benches

Traditional wood picnic tables and benches are still a family favorite. Enjoy the great outdoors in style with this summertime classic that will provide years of enjoyment. Construction is fast and easy with Simpson Strong-Tie® Rigid Tie® RTA2Z connectors. Use cedar or redwood with a wood stain for that natural look, or use non-treated lumber and protect and personalize it with your favorite paint color.



Check out our installation and building-tip videos at www.diydoneright.com.



VIEW OF UNDERSIDE OF BENCH

TOOLS YOU NEED

- Saw
- Miter saw
- Drill/Screw gun
- #2 Philips head bit
- Tape measure
- Framing square
- Straight edge or chalk line
- Clamps
- Bit holder (optional)
- Paint brush (for sealing or painting)
- Safety glasses

INSTALLATION INSTRUCTIONS

1. CUT LUMBER TO SIZE.

Simpson Strong-Tie® connectors make it easy to create strong right-angle connections with wood.

2. ASSEMBLE LEGS. Starting with benches, attach legs (A) to the 13" leg connector rail (B) with RTA2Z connectors using #9x1½" SD Connector screws. Build two leg assemblies for each bench.

3. ATTACH LEGS TO PLANKS. Lay the three bench planks on a work surface with the 2x4 (C) between the two 2x6s (D). Evenly space the planks by inserting a 16d nail between them. Make sure the best side of the wood is face down.

For both sides of benches:

- Place leg assembly 6" from end of bench. Attach with six #10x2½" Deck-Drive™ DSV Wood screws (two per plank).
- Measure 5½" in from leg assembly and center 13" angled support rail (E). Attach with four 2½" DSV screws.
- Attach horizontal support rail (F) to legs (A) 5½" from bottom of legs with two 2½" DSV screws per side.
- Attach diagonal support rail (G) to (F) and (E) with four 2½" DSV screws. The screws should go in at a 45° angle.

4. AFFIX NYLON GUIDES TO BOTTOM OF BENCH LEGS.

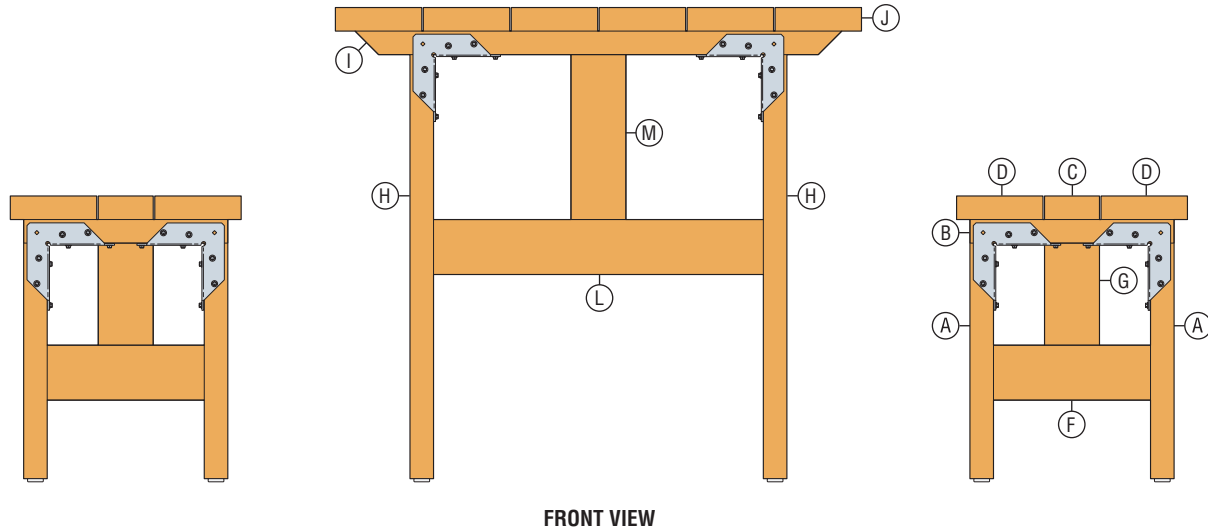
5. REPEAT STEPS FOR TABLE. Follow the same steps for assembly of the table, noting specific table dimensions.



MATERIALS AND CUTTING DIAGRAM



Picnic Table and Two Benches



FRONT VIEW

FOR THIS PROJECT YOU WILL NEED:

LUMBER*

- (10) pieces of 2x6 x 8' redwood lumber
- (8) pieces of 2x4 x 8' redwood lumber

SIMPSON STRONG-TIE® CONNECTORS AND FASTENERS

- (24) Rigid Tie® RTA2Z connectors
- (192) #9x1½" Strong-Drive® SD Connector screws
- (120) #10x2½" Deck-Drive™ DSV Wood screws

OTHER MATERIALS:

- (12) Nylon guides

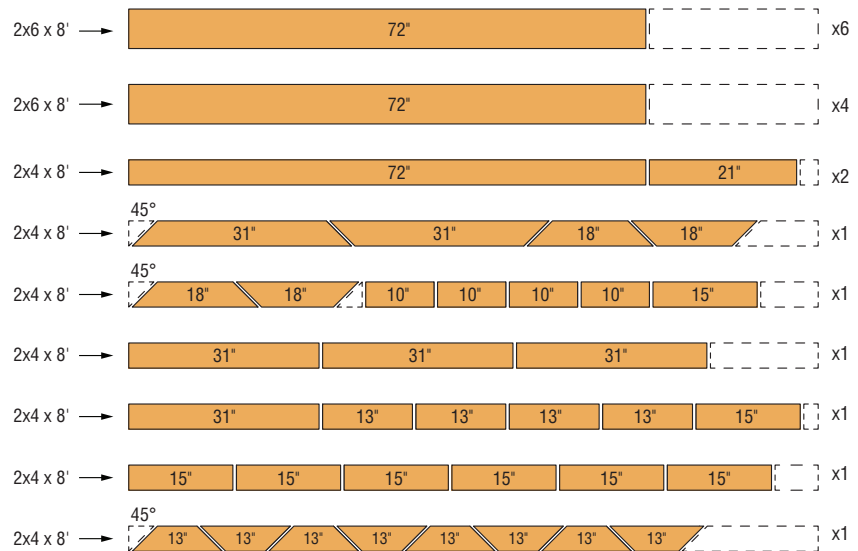
* Use redwood, cedar or non-treated wood with exterior-grade paint or stain.

CUT FROM 2x6 x 8' LUMBER

- (6) 72" Table Planks (J)
- (4) 72" Bench Planks (D)

CUT FROM 2x4 x 8' LUMBER

- (2) 72" Bench Plank (C)
- (2) 21" Table Horizontal Support Rails (L)
- (2) 31" Table Leg Connector Rails (I)
- (2) 18" Table Angled Support Rails (K) (not shown)
- (2) 18" Table Diagonal Support Rails (M)
- (4) 10" Bench Horizontal Support Rails (F)
- (1) 15" Bench Leg (A)
- (3) 31" Table Legs (H)
- (1) 31" Table Leg (H)
- (4) 13" Bench Leg Connector Rails (B)
- (1) 15" Bench Leg (A)
- (6) 15" Bench Legs (A)
- (4) 13" Bench Angled Support Rails (E)
- (4) 13" Bench Diagonal Support Rails (G)



The construction plan for this project is designed to be completed by people with basic carpentry skills in standard situations. If your situation is unique, talk with someone with detailed carpentry or construction experience before starting your project. Particular attention was paid to the steps and details in this plan, but they cannot be guaranteed to be error free. Simpson Strong-Tie shall not be responsible for any possible loss, damage or injury resulting directly or indirectly from the information contained here.

© 2015 Simpson Strong-Tie Company Inc. • P.O. Box 10789, Pleasanton, CA 94588

DIY-CSPICNIC15 7/15 exp. 12/16

800-999-5099
www.strongtie.com

For more inspiration, visit www.diydoneright.com.