



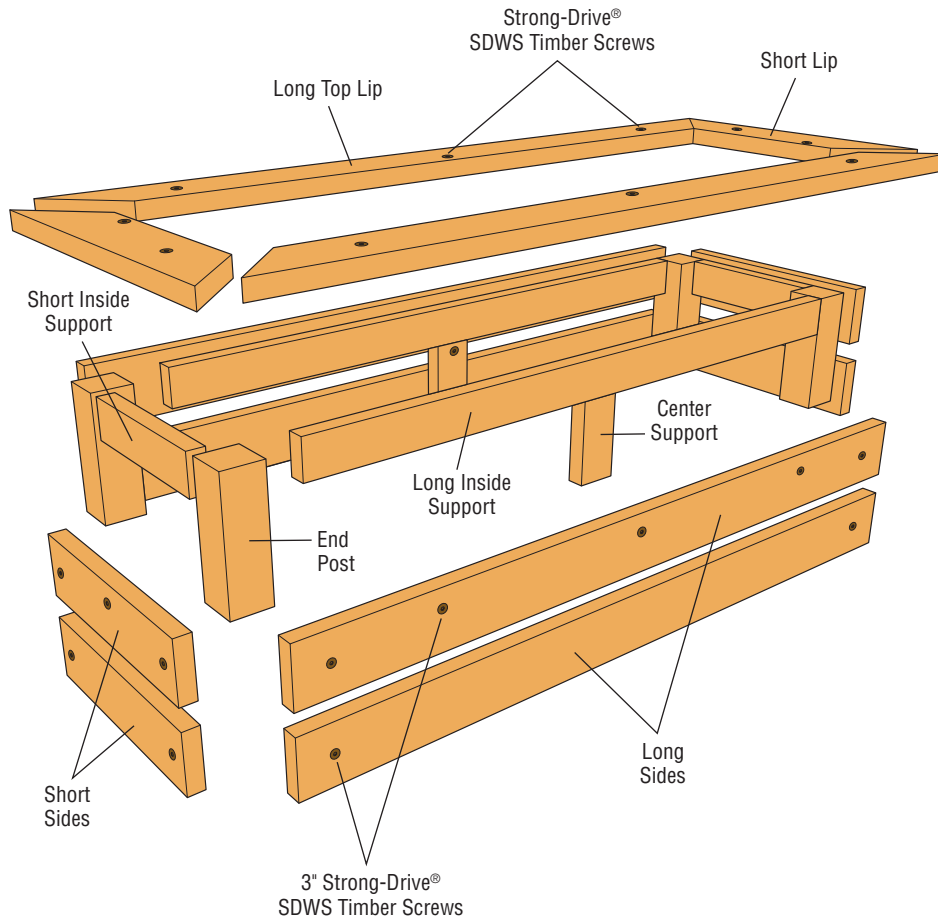
ENHANCE THE BEAUTY OF YOUR YARD

Raised Garden Bed

Build one or more of these stylish raised garden beds to add to the beauty of your outdoor space. Simpson Strong-Tie® Strong-Drive® SDWS Timber screws make it quick and easy to build this simple, but strong raised bed in just one day. Use cedar, redwood or non-treated lumber with your favorite stain, sealant or paint color to protect and personalize it.



Check out our installation and building tip videos at diydoneright.com.



TOOLS YOU NEED

- Saw
- Miter saw
- Drill/Screw gun
- #2 Philips head bit
- Tape measure
- Framing square
- Straight edge or chalk line
- Clamps
- Bit holder (optional)
- Paint brush (for sealing or painting)

INSTALLATION INSTRUCTIONS

1. MEASURE AND CUT LUMBER TO SIZE. Wait to cut top lip until the frame is assembled.

2. CONNECT 2x6 SHORT SIDES TO 4x4 END POSTS. Use a clamp to help hold the wood to the posts, making sure the seam is flush with the outside edge of the posts. Attach with 3" Strong-Drive® SDWS Timber screws.

3. ATTACH 2x4 SHORT INSIDE SUPPORT BOARDS. Clamp the short support 2x4s between the vertical end posts to the inside top of the short side boards and attach from the outside with the 3" screws.

4. CONNECT LONG SIDES TO THE END POSTS. Clamp the 2x6 long sides to the corner posts, making sure the seams are flush to the short sides. Attach with the 3" screws.

5. ATTACH 2x4 LONG INSIDE SUPPORT BOARDS. Clamp the long support 2x4s to the inside top of the long side boards and attach from the outside with the 3" screws.

6. ATTACH 2x4 CENTER SUPPORT BOARDS. Attach the center supports to the inside of the long side boards with the 3" screws from the inside, placing one screw on either side of the seam.

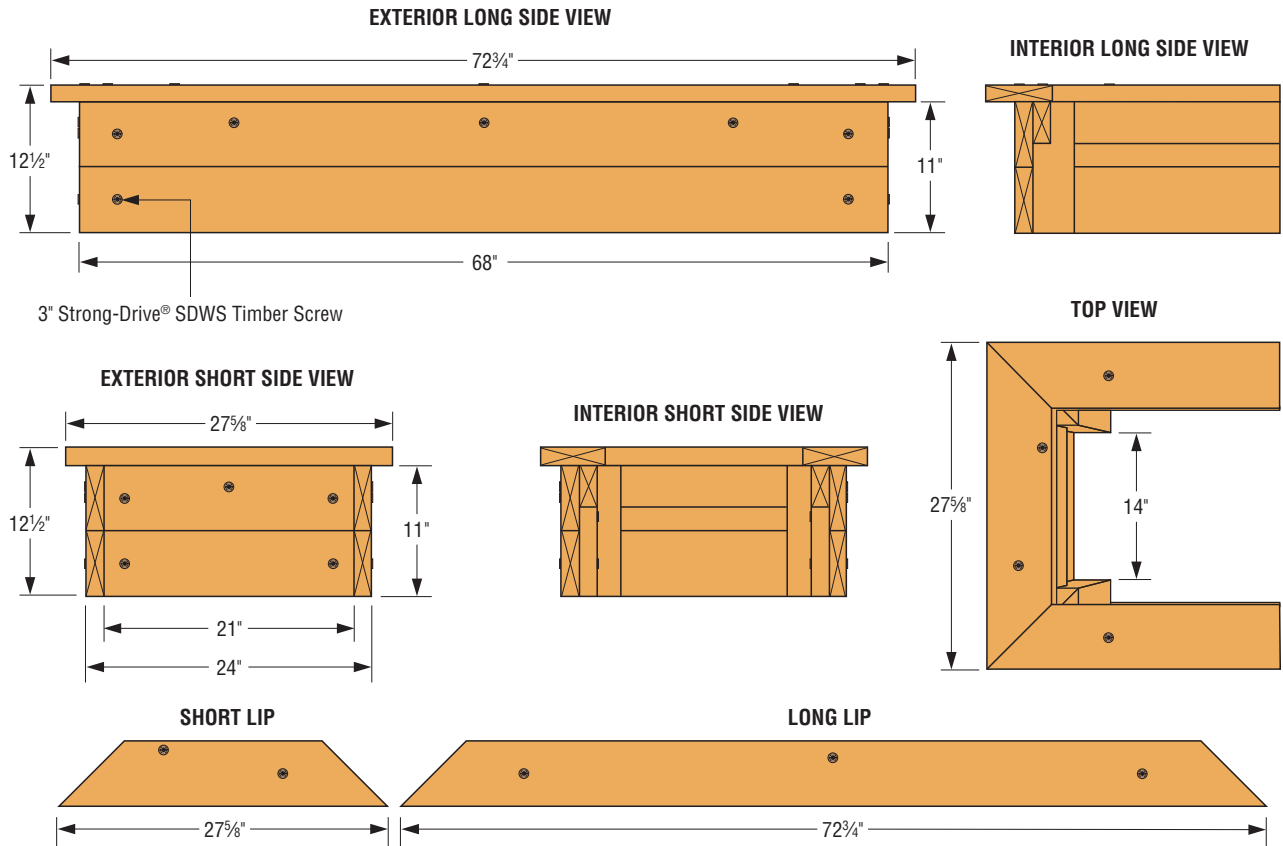
7. MEASURE, CUT, ASSEMBLE AND INSTALL TOP LIP. Assemble the top lip, making sure the mitered corners fit snugly and fasten together with the 2" Deck-Drive™ DSV Wood screws. Attach to the top of the frame with two 3" screws in the short lips and three into the long lips.



MATERIALS AND CUTTING DIAGRAM



Raised Garden Bed (27⁵/₈" w x 72³/₄" l x 12¹/₂" h)



FOR THIS PROJECT YOU WILL NEED:

LUMBER

- (2) – pieces of 2x6 10 ft. redwood* deckboards
- (4) – pieces of 2x6 8 ft. redwood* deckboards
- (2) – pieces of 2x4 8 ft. redwood* lumber
- (1) – 4x4 4 ft. redwood* post

*Cedar or non-treated wood also may be used

SIMPSON STRONG-TIE® FASTENERS

- (1) – 50-qty. box Simpson Strong-Tie® 3" Strong-Drive® SDWS Timber screws
- (1) – 1-lb. box Simpson Strong-Tie® 2" Deck-Drive™ DSV Wood screws

OTHER

- Exterior-grade paint or stain
- Plastic liner if needed

CUT FROM 2x6 x 10' REDWOOD DECK BOARDS

- (2) – 72³/₄" TOP LIPS
- (2) – 27⁵/₈" SHORT LIPS



CUT FROM 2x6 x 8' REDWOOD DECK BOARDS

- (4) – 68" LONG SIDES
- (4) – 21" SHORT SIDES



CUT FROM 2x4 x 8' REDWOOD DECK BOARDS

- (1) – 58" LONG SIDE SUPPORT
- (2) – 14" SHORT SIDE SUPPORTS
- (1) – 7³/₈" CENTER SUPPORT

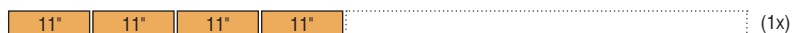


- (1) – 58" LONG SIDE SUPPORT
- (1) – 7³/₈" CENTER SUPPORT



CUT FROM 4x4 x 8' END POSTS

- (4) – 10³/₈" END POSTS



*WOOD/FINISH: Use redwood, cedar or non-treated wood with exterior-grade paint or stain.

Before making a wood-type or finish choice, make sure it is safe for your pet.

NOTE: Dimensions can be modified to fit your specific needs.

The construction plan for this project is designed to be completed by people with basic carpentry skills in standard situations. If your situation is unique, talk with someone with detailed carpentry or construction experience before starting your project. Particular attention was paid to the steps and details in this plan, but they cannot be guaranteed to be error free. Simpson Strong-Tie shall not be responsible for any possible loss, damage or injury resulting directly or indirectly from the information contained here.

(800) 999-5099
strongtie.com